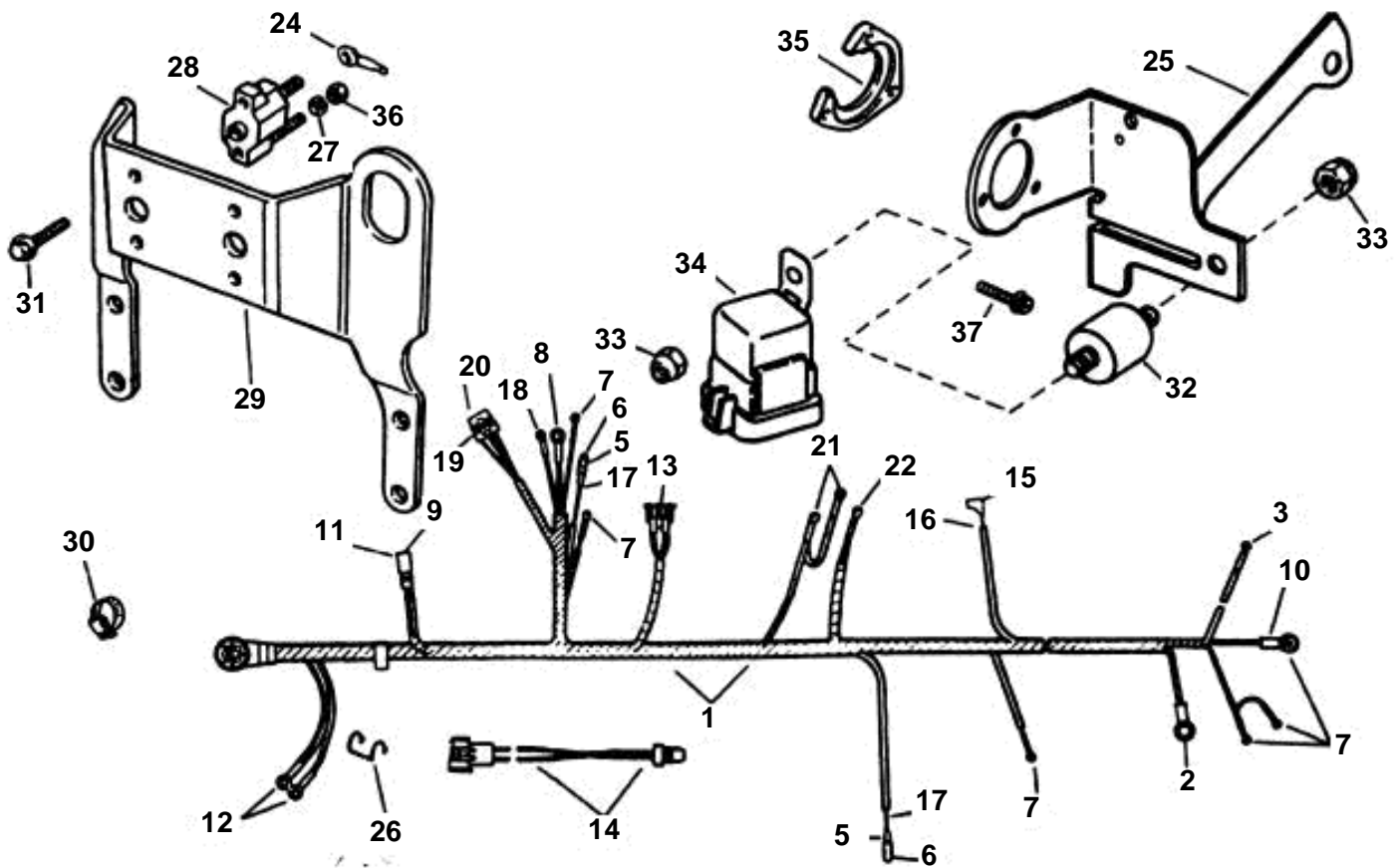


# WIRE HARNESS, BRACKET, & SOLENOID



# WIRE HARNESS, BRACKET, & SOLENOID

REF	PART NO.	QTY	DESCRIPTION
1	3850409	1	Cable harness, Engine
2	3852036	1	· Cable terminal, Alternator ground
3	3852038	1	· Cable terminal, Alternator output
5	3852244	2	· Cable terminal, Terminal
6	3852181	2	· Cap, Socket
7	3852233	7	· Cable terminal
8	3852037	1	· Cable terminal, Battery
9	3852229	2	· Cable terminal, Trim sender
10	3852130	2	· Rubber cap, Terminal
11	3853565	1	· Connector, Trim sender
12	3852527	2	· Cable terminal, Ground
13	3854244	1	· Cable, Coil
14	3854084	1	· Cable, Coil to distributor
15	3852084	1	· Cable terminal
16	3853320	1	· Cover, Terminal
17	3852248	2	· Cable sleeve, Terminal
18	3852235	1	· Cable terminal
19	3854192	11	· Connector
20	3852254	4	· Cable terminal, Relay
21	3852245	2	· Cable terminal
22	3854245	1	· Cable terminal
24	3852235	2	· Cable terminal
25	3850240	1	Bracket, Connector & relay
26	3852237	1	Retainer, Trim sender
27	3852001	4	Lock washer, Circuit breaker
28	3854164	2	Fuse, 50 amp
29	3853374	1	Bracket, Circuit breaker
30	3853786	1	Clamp, Instrument cable
31	3853620	4	Screw, Circuit breaker
32	3850234	1	Isolation, Relay mounting
33	3852118	2	Nut, Relay isolator
34	3854138	1	Relay, Starter motor
35	3852825	1	Retainer, Engine cable
36	3852064	4	Nut, Circuit breaker
37	3852208	1	Screw, Cable retainer